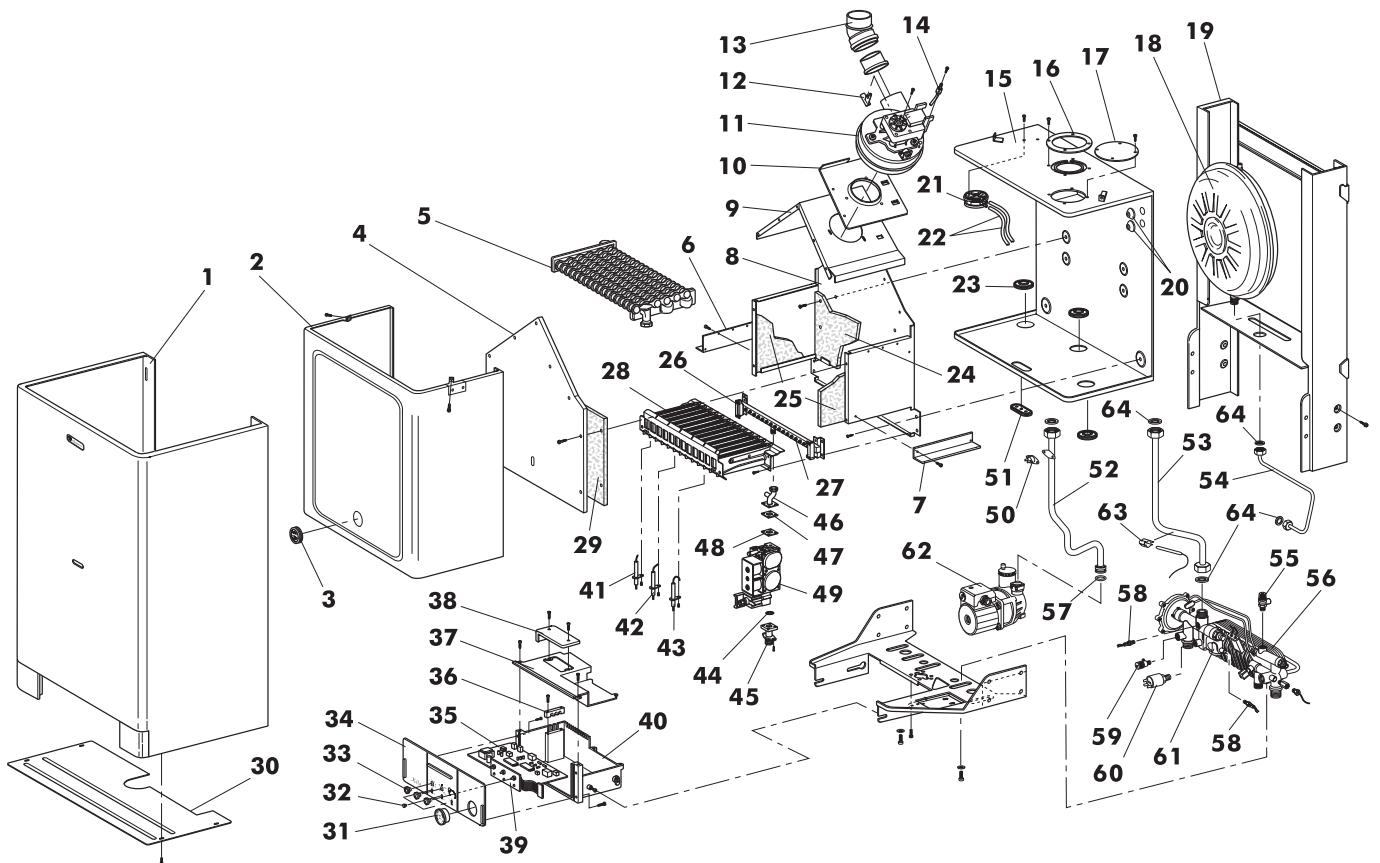


XILO D 24 MCS W- TOP/IT G.N. Cod. 00902880
XILO D 24 MCS W- TOP/IT G.P.L. Cod. 00902890
TAV. 1182

Ottobre 00


Pos. Cod. Denominazione

1	1.56966.0	□
2	1.56968.0	□
3	4.55761.0	□
4	1.56978.0	□
5	4.55811.0	□
6	1.56959.0	□
7	1.56958.0	□
8	1.56977.0	□
9	1.56976.0	□
10	1.56979.0	□
11	4.55812.0	□
12	4.55738.0	□
13	4.55747.0	□
14	4.55739.0	□
15	1.57371.0	□
16	1.53042.0	□
17	1.56991.0	□
18	4.55601.0	□
19	1.56969.0	□
20	1.53044.0	□
21	4.55852.0	□
22	6.50108.0	□
23	1.57147.0	□
24	1.57012.0	□
25	1.56987.0	□
26	4.55831.0	□
	4.55834.0	□
27	4.55469.0	□
	4.55199.0	□
28	4.55845.0	□
29	1.56988.0	□
30	1.56992.0	□
31	4.55750.0	□
32	4.55771.0	□
33	1.56965.0	□
34	1.57387.0	□

Pos. Cod. Denominazione

35	4.55828.0	□
36	1.57049.0	□
37	1.56867.0	□
38	1.56868.0	□
39	4.55752.0	□
40	1.56866.0	□
41	4.55777.0	□
42	4.55753.0	□
43	4.55754.0	□
44	3.08083.0	□
45	4.55523.0	□
46	1.57151.0	□
47	1.55148.0	□
48	1.57502.0	□
49	4.55549.0	□
50	4.55837.0	□
51	1.53045.0	□
52	1.57372.0	□
53	1.57373.0	□
54	1.57352.0	□
55	4.55823.0	□
56	4.55826.0	□
57	3.00122.0	□
58	4.55529.0	□
59	4.55825.0	□
60	4.55349.0	□
61	4.55821.0	□
62	4.55840.0	□
63	4.55776.0	□
64	1.51900.0	□
	1.51901.0	□
	1.53036.0	□