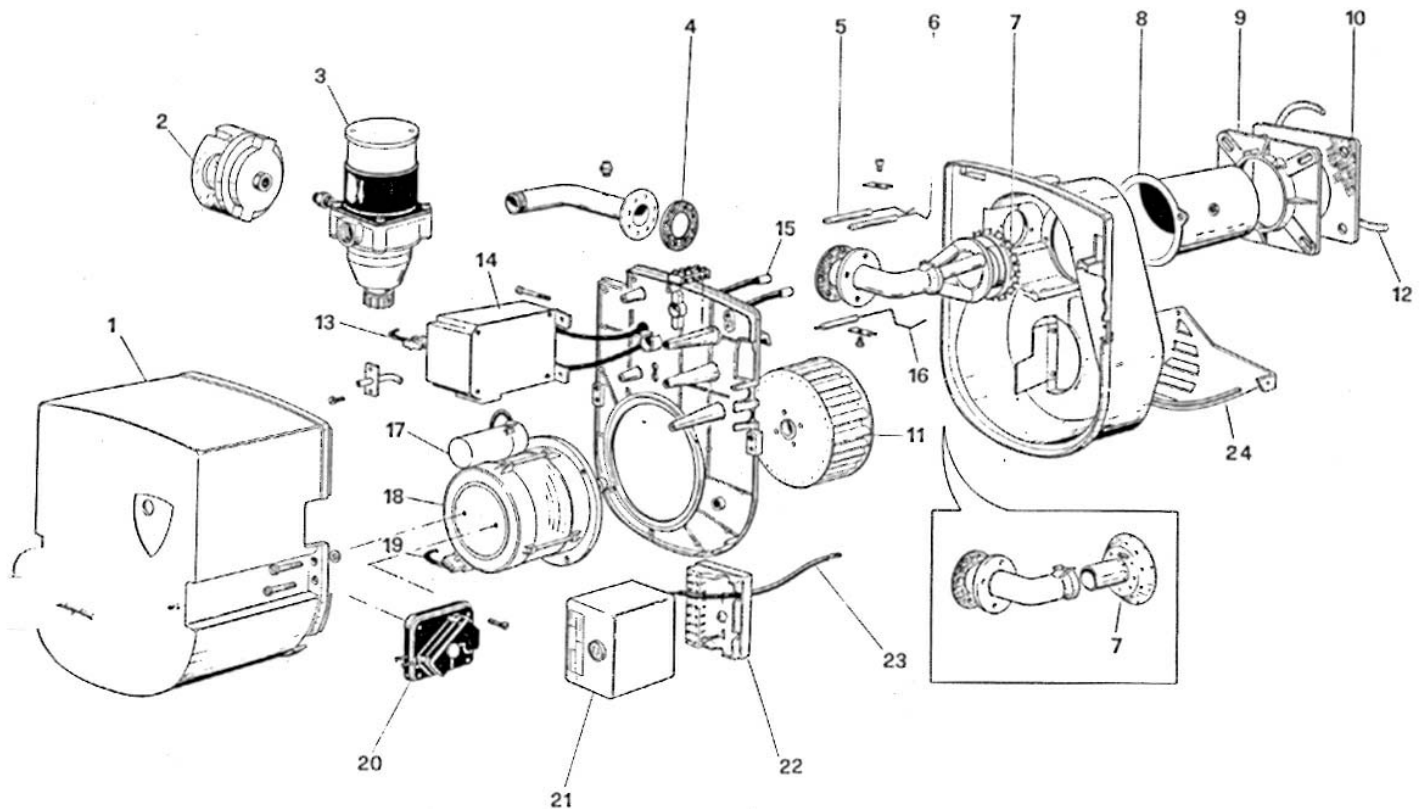




**8 PM** - Cod. 830102

**14 PM** - Cod. 830202



Pos.	Cod.	Denominación
1	1.04618.0	Tapa
2	4.01066.0	Pres. gas DUNGS GW 50
3	4.00589.0	VE func. ITT SA 202 KVS 204
4	1.06795.0	Junta
5	4.01737.0	Electrodo encendido (8 PM)
	4.01725.0	Electrodo izquierdo (14 PM)
6	4.01724.0	Electrodo derecho (14 PM)
7	1.06751.0	Cabeza (8 PM)
	1.06790.0	Anillo deflector (14 PM)
8	1.06780.0	Boca de fuego (8 PM)
	1.06791.0	Boca de fuego (14PM)
9	1.04637.0	Brida suj. caldera (8 PM)
	1.06753.0	Brida suj. caldera (14 PM)
10	1.06782.0	Junta aislante (8 PM)
	1.06758.0	Junta aislante (14 PM)

Pos.	Cod.	Denominación
11	4.01718.0	Turbina (8 PM)
	4.01721.0	Turbina (14 PM)
13	1.06963.0	Cable transformador
14	4.01046.2	Transformador
15	1.06941.0	Cable electrodo
16	4.01738.0	Electrodo de control (8 PM)
	4.01726.0	Electrodo de control (14 PM)
17	4.01556.0	Condensador 4 mF
18	1.06797.0	Motor W 100
19	1.06962.0	Cable motor
20	1.01220.0	Presostato DUNGS LGW A1
21	4.01902.0	Prog. BRAHMA SR 3 (8 PM)
	4.01903.0	Prog. BRAHMA VE 3,2 (14 PM)
22	4.01904.0	Base tipo B
23	1.07010.0	Cable electrodo de control