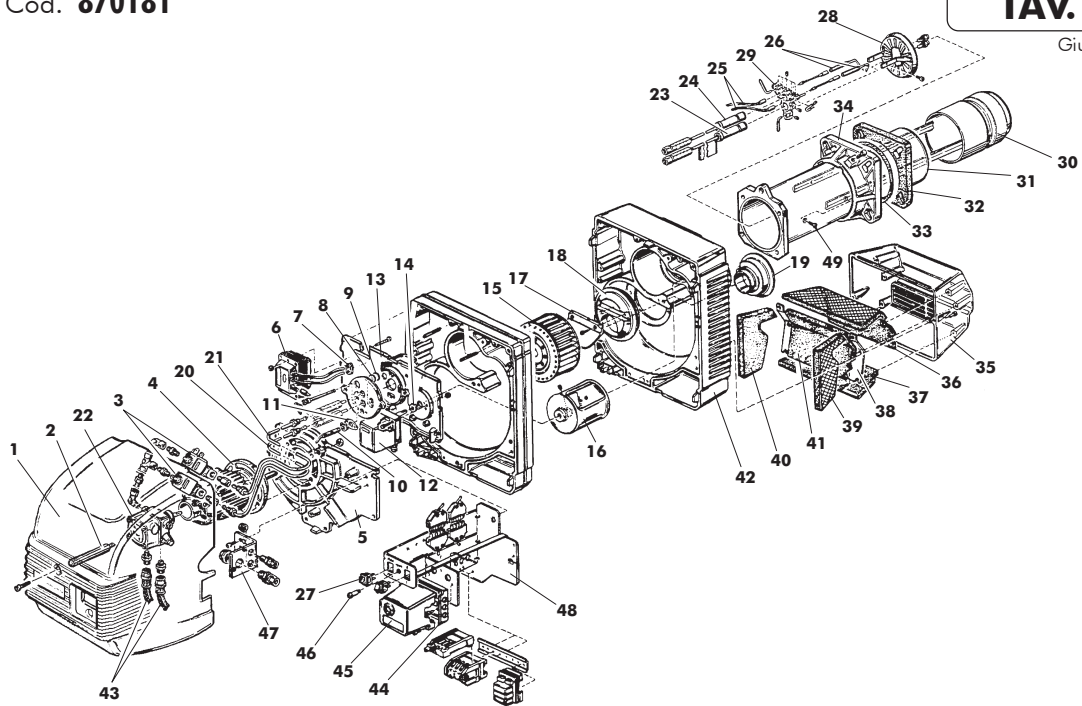


**ECO 50/2 Cod. 870181**
**TAV. 412**

Giugno 2004



Pos.	Cod.	Denominazione	Denomination	Denomination	Denominación
1	1.11096.0	Cofano	Cover	Capot	Tapa
2	1.11932.0	Distanziale fissaggio cofano	Cover fixing rod	Arbre fixation capot	Arbol fijación tapa
3	4.03669.0	Elettrovalvola	Gas valve	Electrovanne	Electrovalvula
4	1.11939.0	Motore	2 nd. stage feeding tube	Ligne alimentation	Tubo alimentacion
5	1.11933.0	Coperchio inferiore coclea	Air-casing lower cover	Protection inférieure volute	Tapa inferior caracol
6	4.03666.0	Trasformatore	Transformer	Transformateur	Transformador
7	1.11950.0	Passacavo	Cable rubber	Anneau passe fil en caoutchouc	Anillo de goma pasacable
8	1.11871.0	Vetrino ispezione	Inspection window	Viseur de flamme	Mirilla de inspección
9	3.00135.0	Anello Seeger	Seeger	Seeger	Seeger
10	4.03742.0	Fotoresistenza	Photocell	Photorésistance cellule	Fotoresistencia
11	4.03642.0	Supporto fotoresistenza	Photocell holder	Photorésistance cellule	Fotoresistencia
12	4.03779.0	Motoriduttore	Motor-reducer	Motorréducteur	Motorreductor
13	1.11922.0	Coperchio superiore coclea	Air-casing upper cover	Protection supérieure volute	Tapa superior caracol
14	1.11930.0	Boccola motoriduttore	Motor-reducer bush	Bague motorréducteur	Boca motorreductor
15	4.03675.0	Ventola	Fan	Ventilateur	Turbina
16	1.11931.0	Anello regolazione aria	Air adjustment ring	Anneau de réglage de l'air	Anillo regulación aire
17	1.11934.0	Settore pressurizzazione	Pressurisation plate	Clapet de pressurisation	Placa de la presurización
18	1.11935.0	Anello pressurizzazione	Pressurisation plate	Clapet de pressurisation	Placa de la presurización
19	1.11929.0	Anello entrata aria	Air inlet ring	Anneau entrée de l'air	Anillo entrada aire
20	1.11964.0	Tubo mandata 1° stadio	1st. stage feeding tube	Ligne alimentation	Tubo alimentacion
21	1.11965.0	Tubo mandata 2° stadio	2 nd. stage feeding tube	Ligne alimentation	Tubo alimentacion
22	4.03800.0	Pompa	Pump	Pompe	Bomba
23	1.11953.0	Astuccio porta ugello 1° stadio	Nozzle holder box 1st stage	Cache porte-gicleur 1ère allure	Tubo porta boquilla 1° etapa
24	1.11946.0	Astuccio porta ugello 2° stadio	Nozzle holder box 2 nd stage	Cache porte-gicleur 2ème allure	Tubo porta boquilla 2° etapa
25	1.11966.0	Cavo elettrodi	Flame rod cable	Cable électrode	Cable electrodo
26	4.03782.0	Elettrodo di accensione	Ignition electrode	Electrode d'allumage	Electrodo d'encendido
27	4.03696.0	Interruttore	Switch	Interrupteur	Interruptor
28	1.11948.0	Deflettore	Deflector	Ventilateur	Turbina
29	1.11955.0	Supporto porta ugelli	Electrodes' holder	Support électrodes	Soporte electrodos
30	1.09386.0	Bocaglio	Draught tube	Gueulard	Boca de fuego
31	1.11947.0	Tubo convogliatore	Conveying pipe	Tuyère	Boca de fuego
32	1.06592.0	Guarnizione isolante	Insulating gasket	Joint isolant	Junta aislante
33	1.06593.0	Corda isolante	Insulating cord	Corde d'isolation	Cuerda aislante
34	1.06591.0	Attacco caldaia	Boiler connecting flange	charnière chaudière	Brida de fijación a la caldera
35	1.11967.0	Scatola presa aria	Air intake box	boîte d'entrée d'air	Caja de la toma de aire
36	1.11926.0	Isolante superiore	Upper insulator	Isolant supérieur	Aislante superior
37	1.11925.0	Isolante inferiore	Lower insulator	Isolant inférieur	Aislante inferior
38	1.11923.0	Telaio scatola presa aria	Air intake box frame	Châssis boîte de prise d'air	Bastidor caja toma de aire
39	1.11928.0	Isolante laterale destro	Right side insulator	Isolant latéral droit	Aislante lateral derecho
40	1.11927.0	Isolante laterale sinistro	Left side insulator	Isolant latéral gauche	Aislante lateral izquierdo
41	1.11924.0	Isolante centrale	Central insulator	Isolante central	Aislante central
42	1.11968.0	Coclea aria	Air casing	Volute air	Caracol aire
43	1.09873.0	Flessibile	Hose	Flexible	Flexible
44	4.01551.0	Base apparecchiatura	Control box base	Base coffret	Base programador
45	4.04098.0	App. LANDIS tipo LMO 44	Control box	Coffret de sécurité	Programador
46	4.03697.0	Portafusibile	Fuse holder	Support fusible	Funda a poseedor
47	4.03700.0	Supporto pressacavi	Cable holder	Support presse-câbles	Soporte sujeta-cables