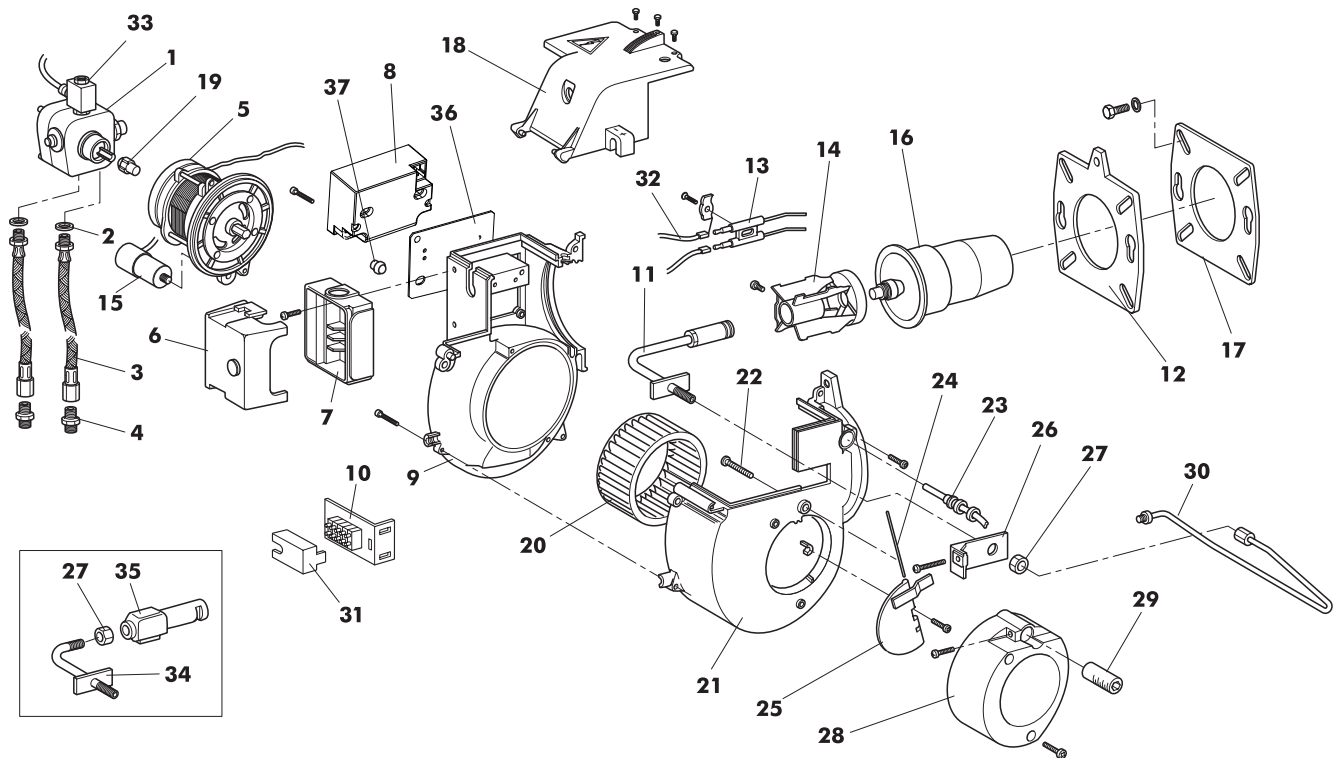


FIRE 3 Cod. **00842009**
FIRE 3 R Cod. **00842019**
TAV. 448-1

Gennaio 2012



| Pos. | Cod. | Denominazione | Denomination | Denomination | Denominación |
|------|-----------|------------------------------|--------------------------|---------------------------------|---------------------------------|
| 1 | 4.03418.0 | Pompa | Pump | Pompe | Bomba |
| 2 | 1.00129.0 | Rondella 1/4" | Washer 1/4" | Rondelle 1/4" | Arandela 1/4" |
| 3 | 1.07809.0 | Flessibile | Hose | Flexible | Flexible |
| 4 | 1.00119.0 | Nipplo 3/8" | Nipple 3/8" | Nipple 3/8" | Machon 3/8" |
| 5 | 1.10089.0 | Motore ACC | ACC Motor | Moteur ACC | Motor ACC |
| | 1.12606.0 | Motore SIMEL | SIMEL Motor | Moteur SIMEL | Motor SIMEL |
| 6 | 4.04206.0 | Apparecchiatura | Control box | Coffret de sécurité | Programador |
| 7 | 4.01551.0 | Base apparecchiatura | Control box base | Base coffret | Base programador |
| | 8.01712.0 | G/base (fire 3) | G/base (fire 3) | G/base (fire 3) | G/base (fire 3) |
| | 8.01713.0 | G/base (fire 3R) | G/base (fire 3R) | G/base (fire 3R) | G/base (fire 3R) |
| 8 | 4.04452.0 | Trasformatore | Transformer | Transformateur | Transformador |
| 9 | 1.11206.0 | Semicorpo lato motore | Motor side half casing | Demi-corps côté moteur | Semicuerpo lado motor |
| 10 | 4.01810.0 | Morsettiera 6 poli | 6 stud terminal block | Bomier 6 pôles | Bomier 6 Caja de bornes 6 polos |
| 11 | 1.12613.0 | G/supporto gicleur(fire3) | G/nozzle holder (fire 3) | G/support gicleur (fire 3) | G/linea inyector (fire 3) |
| 12 | 1.10407.0 | Flangia attacco caldaia | Boiler connecting flange | Flange connexion chaudière | Brida de fijacion ala caldera |
| 13 | 4.03404.0 | Elettrodi | Electrodes | Électrodes | Electrodos |
| 14 | 1.09173.0 | Deflettore | Deflector | Déflecteur | Deflector |
| 15 | 4.03513.0 | Condensatore motore ACC | ACC motor Condensor | Condensateur moteur ACC | Condensador motor ACC |
| | 4.04184.0 | Condensatore motore SIMEL | SIMEL motor Condensor | Condensateur moteur SIMEL | Condensador motor SIMEL |
| 16 | 1.09156.0 | Boccaglio | Draught tube | Guelard | Boca de fuego |
| 17 | 1.09165.0 | Guarnizione isolante | Insulating gasket | Joint isolant | Junta aislante |
| 18 | 1.09153.0 | Coperchio superiore | Upper cover | Covercle supérieur | Tara superior |
| 19 | 4.03514.0 | Giunto motore ACC | ACC motor Joint | Joint moteur ACC | Junta motor ACC |
| | 4.04183.0 | Giunto motore SIMEL | SIMEL motor Joint | Joint moteur SIMEL | Junta motor SIMEL |
| 20 | 4.03400.0 | Ventola | Fan | Ventilateur | Turbina |
| 21 | 1.10796.0 | Semicorpo aspiraz. Aria | Air suction cover | Demi-corps d'aspiration d'air | Semicuerpo aspiracion aire |
| 22 | 2.27258.0 | Vite M5 x 40 | Screw M5 x 40 | Vis M5 x 40 | Tornillo M5 x 40 |
| 23 | 4.03405.0 | Fotoresistenza | Photocell | Photorésistance | Fotoresistencia |
| 24 | 1.09168.0 | Albero bandella | Air flap pinion | Pivot clapet d'air | Piñon palomilla |
| 25 | 1.09167.0 | Bandella aria | Air flap | Clapet d'air | Palomilla |
| 26 | 1.09161.0 | Indice regolazione testata | Adjustment head index | Indéxé réglage tête | Indice regulación cabeza |
| 27 | 1.07797.0 | Dado supporto gicleur | Nozzle holder nut | Ecrou support gicleur | Tuerca linea inyector |
| 28 | 1.09154.0 | Coperchio aspirazione aria | Air suction cover | Couvercle d'aspiration d'air | Tara aspiracion aire |
| 29 | 1.09160.0 | Pomello regolazione aria | Air adjustment knob | Poignée réglage air | Mando de regulación aire |
| 30 | 1.09261.0 | Tubino mandata | Feeding tube | Ligne alimentation | Tubo alimentación |
| 31 | 1.09428.0 | Coperchio morsettiera | Terminal block cover | Capot bornier | Tapa caja de bornes |
| 32 | 1.14099.0 | Cavo elettrodo | Electrode cable | Cable électrode | Cable electrodo |
| 33 | 4.03473.0 | Bobina V.E. | Valvecoil | Bobina électrovanne | Bobina electrovalvula |
| 34 | 1.09163.0 | G/supp.preriscald. (fire 3R) | G/preheater (fire 3R) | G/support réchauffage (fire 3R) | G/linea precalentador (fire 3R) |
| 35 | 4.01895.0 | Preriscaldatore (fire 3R) | Preheater (fire 3R) | Réchauffage (fire 3R) | Precalentador (fire 3R) |
| 36 | 1.14079.0 | Piastra trasformatore | Transformer plate | Plaque transformateur | Placa trasformador |
| 37 | 4.04454.0 | Copri contatto | Cover contact | Couverture contact | Portada contacto |