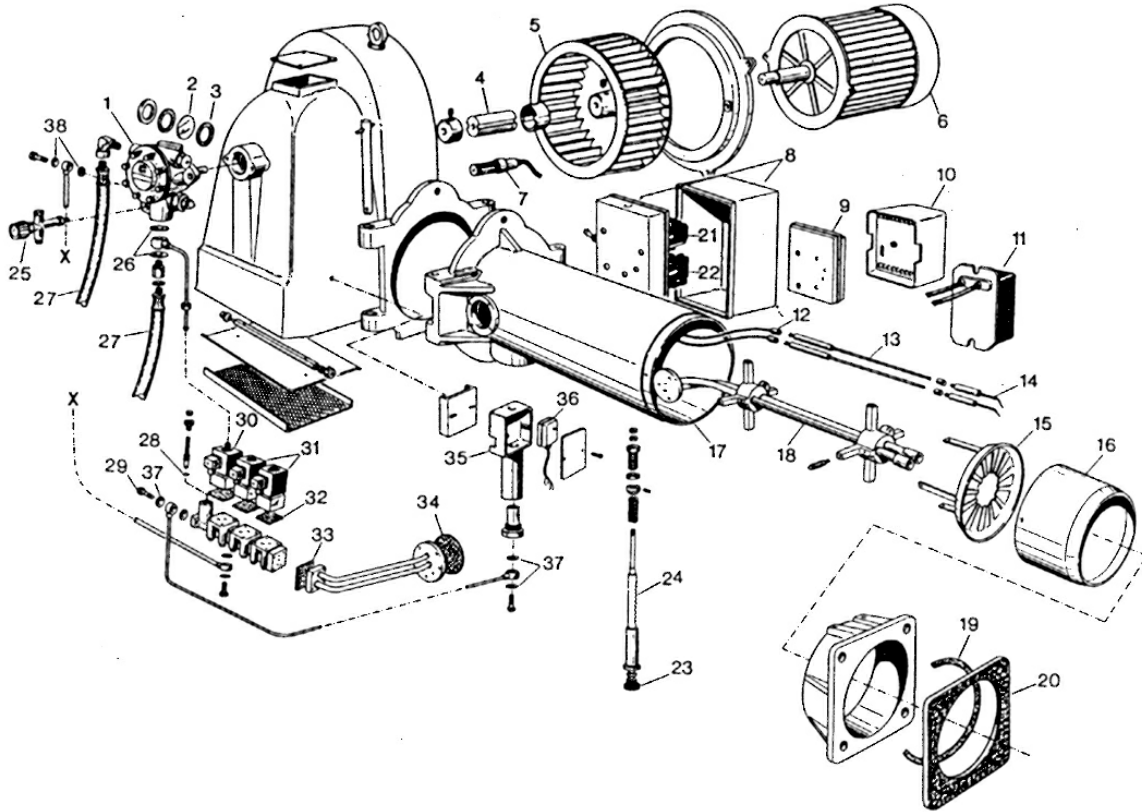




PG 180/2 - Cod. 83570

PG 250/2 - Cod. 83580

PG 300/2 - Cod. 83670



Pos.	Cod.	Denominación
1	4.01258.0	Bomba SUNSTRANDE E7 NA 1001 (PG180/2)
1	4.01295.0	Bomba SAFAG NVBRFDC (PG250/2)
1	4.00824.0	Bomba (PG300/2)
2	1.50452.0	Mirilla
3	1.50453.0	Junta para mirilla
4	1.05226.0	Acoplamiento B-M (PG180/2)
4	1.05394.0	Acop. B-M (PG250/2-PG300/2)
5	4.00634.0	Turbina D.315 (PG180/2)
5	4.00641.0	Turbina D.350 (PG250/2-PG300/2)
6	1.03603.0	Motor HP 6,5 (PG180/2)
6	1.03617.0	Motor HP 10 (PG250/2-300/2)
7	8.01406.0	Gr. fotorresistencia
8	8.01564.1	Gr. caja puesta en marcha (PG180/2)
8	8.01565.2	Gr. caja puesta en marcha (PG250/2-300/2)
9	8.01005.0	Base programador
10	8.01043.0	Programador NUOVA A 2000
11	4.00825.0	Transformador
13	8.00052.0	Electrodo de reenvío
14	8.00087.0	Electrodo
15	1.05224.0	Deflector (PG180/2)
15	1.05391.0	Deflector (PG180/2-PG300/2)
16	1.02866.1	Boca de fuego (PG180/2)

Pos.	Cod.	Denominación
16	1.05467.0	Boca de fuego (PG250/2)
16	1.05468.0	Boca de fuego (PG300/2)
17	1.05315.0	Cañón (PG250/2)
17	1.05456.0	Cañón (PG250/2-300/2)
18	1.05222.0	Soporte inyector (PG180/2)
18	1.05346.0	Sop. iny. (PG250/2-PG300/2)
20	1.05313.0	Junta aislante (PG180/2)
20	1.05400.0	Junta aislante (PG250/2-300/2)
21	4.01297.0	Relé térmico BRD1B-9,5 a 15,5
22	4.01263.0	Contador CA2D2811 220
23	3.00097.0	Junta DE 081
24	4.00305.2	Eje martinete
27	4.00834.0	Flexible
28	3.08036.0	Junta OR 2018
30	4.00255.1	Val. electr. L338B11/Z322D
31	4.00254.0	Val. electr. L148B3/Z224A
32	1.01023.0	Junta
33	1.01100.0	Junta
34	1.05294.1	Junta
35	8.01752.0	Martinete
36	1.05374.0	Microinterruptor