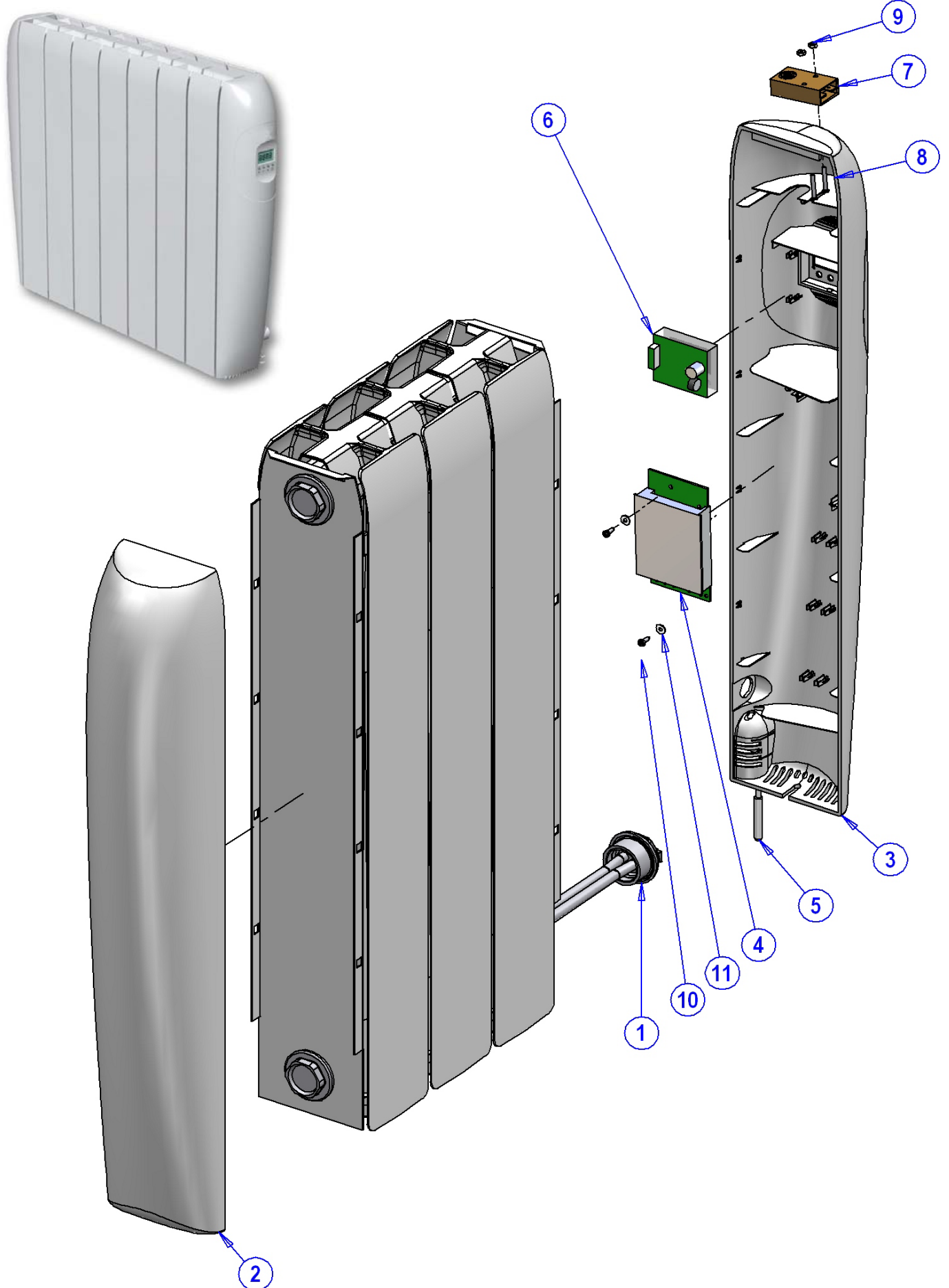




# DESPIECE : ELBA D





# DESPIECE : ELBA D

| Nº<br>ORDEN | CODIGO    | DENOMINACIÓN   | CANTIDADES<br>COMUNES | ELBA D 35 | ELBA D 50 | ELBA D 75 | ELBA D 100 | ELBA D 120 | ELBA D 150 | ELBA D 180 |
|-------------|-----------|--|-----------------------|-----------|-----------|-----------|------------|------------|------------|------------|
|             |           |  |                       |           |           |           |            |            |            |            |
| 1           | C43015360 | RESISTENCIA ELECTRICA 350 W  |                       | 1         |           |           |            |            |            |            |
| 1           | C43015370 | RESISTENCIA ELECTRICA 500 W  |                       |           | 1         |           |            |            |            |            |
| 1           | C43015380 | RESISTENCIA ELECTRICA 750 W  |                       |           |           | 1         |            |            |            |            |
| 1           | C43015390 | RESISTENCIA ELECTRICA 1000 W   |                       |           |           |           | 1          |            |            |            |
| 1           | C43015030 | RESISTENCIA ELECTRICA 1200 W   |                       |           |           |           |            | 1          |            |            |
| 1           | C43015040 | RESISTENCIA ELECTRICA 1500 W   |                       |           |           |           |            |            | 1          |            |
| 1           | C43015050 | RESISTENCIA ELECTRICA 1800 W   |                       |           |           |           |            |            |            | 1          |
| 2           | C43015640 | CARCASA LATERAL IZDA. ELBA C43015640 = C43015645                               | 1                     |           |           |           |            |            |            |            |
|             | C43016430 | CONJUNTO CARCASA LATERAL DCHA. ELBA D LAMBORGHINI                              | 1                     |           |           |           |            |            |            |            |
| 3           | C43016450 | CARCASA LATERAL DCHA. ELBA D LAMBORGHINI (DIGITAL)                             | 1                     |           |           |           |            |            |            |            |
| 4           | C43015117 | TARJETA DE CONTROL PLUS AZUL Cod.7700011                                       | 1                     |           |           |           |            |            |            |            |
| 5           | C43017070 | SONDA Tª AMBIENTE RIGIDA 100 KW Clase II cable Lg.Total 570 mm. Cod.7709920    | 1                     |           |           |           |            |            |            |            |
| 6           | C43015121 | MODULO DE CONTROL CON PANTALLA LCD AZUL Cod.7709913                            | 1                     |           |           |           |            |            |            |            |
| 7           | A33015150 | TERMOSTATO LIMITE TY63 A 70°C 01.11.0045                                       | 1                     |           |           |           |            |            |            |            |
| 7           | A33015160 | CAPUCHON TERMOSTATO LIMITE TY 63 63860 01.11.0296                              | 1                     |           |           |           |            |            |            |            |
|             | C43015590 | PASAMUROS RETENEDOR PARA CABLE MANGUERA PM-65-R CABLE 8,2-9,2 PANEL 3,2 D.15,9 | 1                     |           |           |           |            |            |            |            |
|             | A58015180 | CABLE FLEXIBLE 1x1,5 AZUL Lg.250   | 1                     |           |           |           |            |            |            |            |
|             | A58015030 | CABLE FLEXIBLE 1x1,5 NEGRO Lg.370  | 1                     |           |           |           |            |            |            |            |
|             | A59015170 | CABLE FLEXIBLE 1x1,5 NEGRO Lg.550  | 1                     |           |           |           |            |            |            |            |
|             | A58015290 | CABLE MANGUERA BLANCA 2x1+T Lg.1500 Pelado 220                                 | 1                     |           |           |           |            |            |            |            |
| 8           | A63015240 | TORNILLO CILINDRICO M3x20 DIN 7985 GALV.                                       | 2                     |           |           |           |            |            |            |            |
| 9           | A63218440 | TUERCA EX.M- 3 DIN.555 GLV.  | 2                     |           |           |           |            |            |            |            |
| 10          | A63275300 | TORN.R/CH.C/ALOM.C/PHI.2,9x9,5   | 2                     |           |           |           |            |            |            |            |
| 11          | A67015150 | ARANDELA PLASTICO AR 30 8,1x3,3x0,85   | 2                     |           |           |           |            |            |            |            |
|             | A75018210 | PLANCHA POREXPAN 600x450x14 RAD. ELECTRICO EG                                  |                       |           |           |           | 2          | 2          | 2          | 2          |
|             | A75019510 | CAJA CARTON 420x613x125 SERIGRAFIADA FERROLI                                   |                       | 1         |           |           |            |            |            |            |
|             | A75019520 | CAJA CARTON 500x613x125 SERIGRAFIADA FERROLI                                   |                       |           | 1         |           |            |            |            |            |
|             | A75019540 | CAJA CARTON 660x613x125 SERIGRAFIADA FERROLI                                   |                       |           |           | 1         |            |            |            |            |
|             | A75019560 | CAJA CARTON 820x613x125 SERIGRAFIADA FERROLI                                   |                       |           |           |           | 1          |            |            |            |
|             | A75019570 | CAJA CARTON 900x613x125 SERIGRAFIADA FERROLI                                   |                       |           |           |           |            | 1          |            |            |
|             | A75019580 | CAJA CARTON 1060x613x125 SERIGRAFIADA FERROLI                                  |                       |           |           |           |            |            | 1          |            |
|             | A75019590 | CAJA CARTON 1220x613x125 SERIGRAFIADA FERROLI                                  |                       |           |           |           |            |            |            | 1          |
|             | A75017880 | CANTONERAS POREXPAN SOFT   | 2                     |           |           |           |            |            |            |            |
|             | A75017891 | CANTONERAS POREXPAN ELBA   | 2                     |           |           |           |            |            |            |            |
|             | A72019761 | PLACA ADHESIVA LAMBORGHINI 350x100 CARTULINA                                   | 1                     |           |           |           |            |            |            |            |
|             | A73017150 | CERTIFICADO GARANTIA RADIADORES ELECTRICOS LAMBORGHINI                         | 1                     |           |           |           |            |            |            |            |
|             | A73017170 | INSTRUCCIONES RADIADOR ELECTRICO ELBA D LAMBORGHINI                            | 1                     |           |           |           |            |            |            |            |
|             | C41015310 | CONJUNTO SOPORTES RADIADORES ELECTRICOS ( 2 SOPORTES )                         |                       | 1         | 1         | 1         | 1          | 1          |            |            |
|             | C41015320 | CONJUNTO SOPORTES RADIADORES ELECTRICOS ( 3 SOPORTES )                         |                       |           |           |           |            |            | 1          | 1          |
|             | C41015280 | SOPORTE RADIADOR ELECTRICO COMERCIAL EN NYLON SYC Ref. GA3SUNI3                |                       | 2         | 2         | 2         | 2          | 2          | 3          | 3          |
|             | C41214680 | TACO DE PLASTICO FISCHER S-8   |                       | 6         | 6         | 6         | 6          | 6          | 9          | 9          |
|             | A63278390 | TORNILLO R/CH. C/ALOMADA 7x1 1/2" (3.9x38) DIN.7981 MORTAJA CRUZADA            |                       | 6         | 6         | 6         | 6          | 6          | 9          | 9          |
|             | A75015720 | BOLSA CRISTAL 18x30cm  |                       | 1         | 1         | 1         | 1          | 1          | 1          | 1          |